

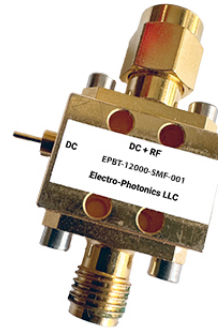
# EPBT-6450-SMF-001

BIAS TEE

REV 1.0.0

## FEATURES

- Broadband
- Low insertion loss
- Small package size
- SMA Connectors
- Lead-Free, RoHS compliant

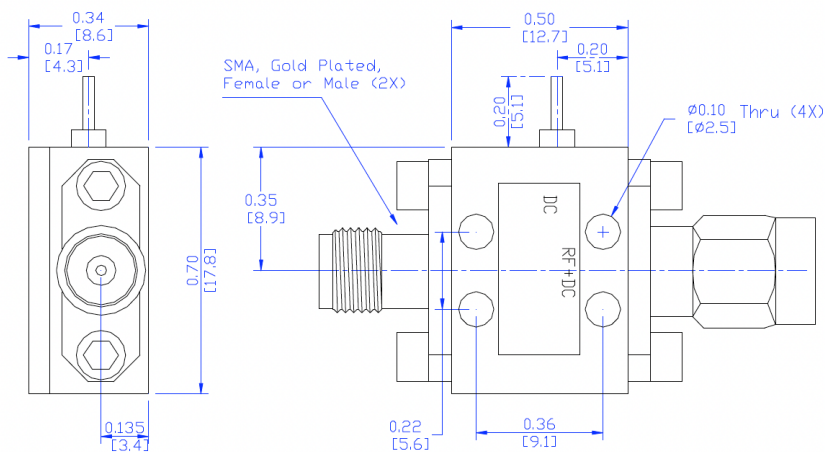


## SPECIFICATIONS

FREQ	PART NUMBER	INSERTION LOSS (dB)	VSWR	POWER (W)	DC CURRENT (mA)	DC VOLTAGE (V)	Temp (°C)	CONNECTOR
200 MHz ~ 12.7 GHz	EPBT-6450-SMF-001	≤ 0.8 max	≤ 1.3	20	240	50	-54 to +85°C	SMA – M/F

All specifications are subject to change without notice.

## MECHANICAL OUTLINE



Unit: INCH Base Material: Brass  
[mm] Finish: Gold Plating  
Tolerance: X.XX ±0.01"