



# EPCI-8000-12000-SF

ELECTRO - PHOTONICS

COAXIAL CIRCULATOR

REV 1.1.0

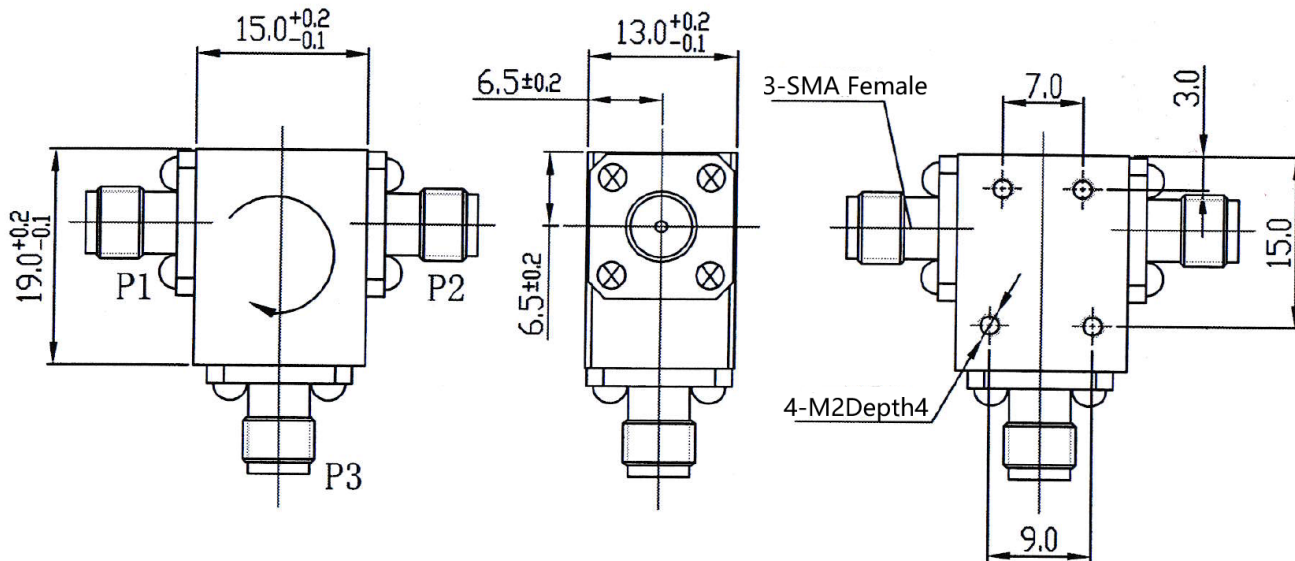
## SPECIFICATIONS

FREQ (MHz)	PART NUMBER	INSERTION LOSS (dB) max	ISOLATION (dB)	VSWR	POWER (W)	OPERATING TEMP (°C)	IMEDANCE ( $\Omega$ )
8000-12000	EPCI-8000-12000-SF	0.5	20	1.30	10	-40 to +70	50

All specifications are Ta = +25C and subject to change without notice.

## MECHANICAL OUTLINE

\* Dimensions are mm



CIRULATORS