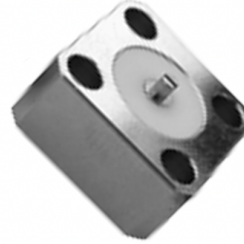
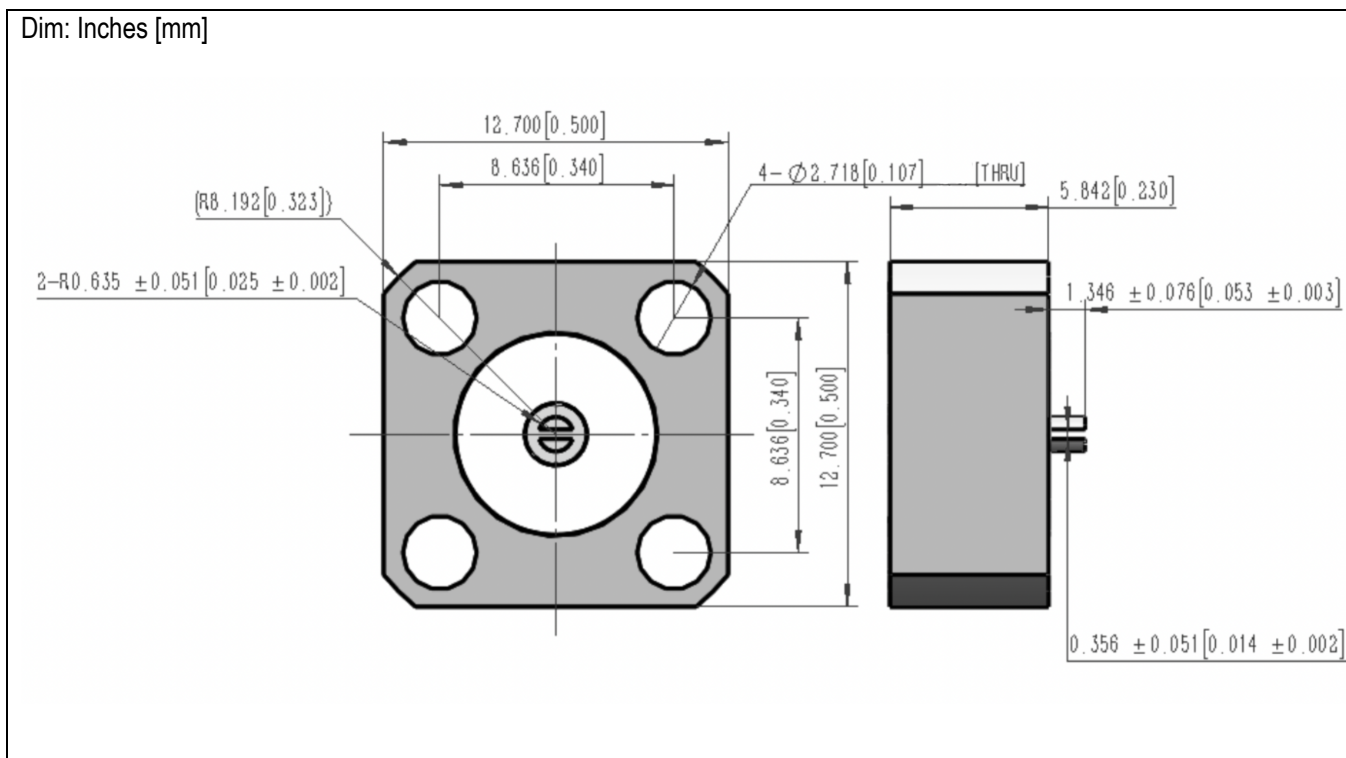


## SPECIFICATIONS

- Frequency: DC – 14.5 GHz
- Power: 25 W @ 60°C (Derates to 0% at 150°C)
- VSWR: 1.50 max
- Impedance:  $50\Omega \pm 5\%$
- TCR:  $\pm 100\text{ppm}/^\circ\text{C}$
- Temperature: -55°C to 150°C
- Lead-Free, RoHS compliant



## MECHANICAL OUTLINE



Tolerance:  $\pm 0.001$  inches [ $\pm 0.127\text{mm}$ ]