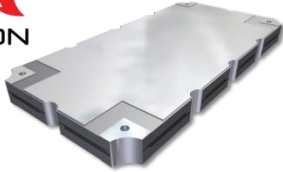


Q30HE-900R

SURFACE MOUNT 30dB DIRECTIONAL COUPLER

REV 1.0.0



APPLICATIONS

- Signal sampling
- Signal injection
- Source leveling
- Signal isolation
- Power monitoring
- Reflection measurement

FEATURES

- Broadband 700 -1200 MHz
- High power
- Very low loss
- High directivity
- Flat coupling
- Dimensionally stable materials for best CTE match
- Lead-Free

SPECIFICATIONS

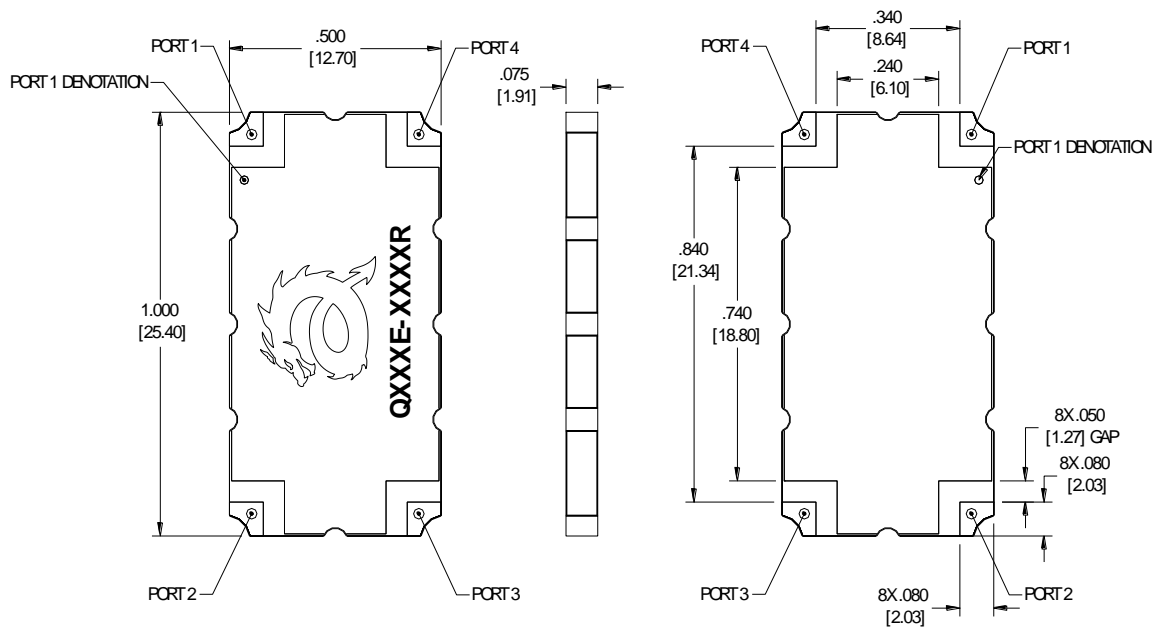
TABLE 1: TYPICAL SPECIFICATIONS*

FREQ (MHz)	POWER (W)	PART NUMBER	INSERTION LOSS (dB)	MEAN COUPLING (dB)	FREQUENCY SENSITIVITY (dB)	DIRECTIVITY (dB)	VSWR	OPERATING TEMP (°C)	ΘJC (°C/W)
700-1200	355	Q30HE-900R	0.1	30.5 ± 1	± .75	17	1.10	-55 to +85	14.7
800-1000	355		0.1	30.5 ± 1	± .3	18	1.10	-55 to +85	14.7

* Units tested with small signal using Electro-Photonics testboard at 25°C. Specifications subject to change without notice.

† Please consult sales (sales@electro-photonics.com) for custom footprints, sizes, and/or specifications.

MECHANICAL OUTLINE

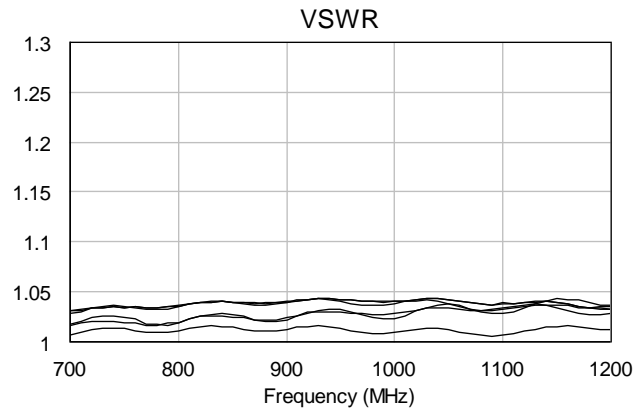
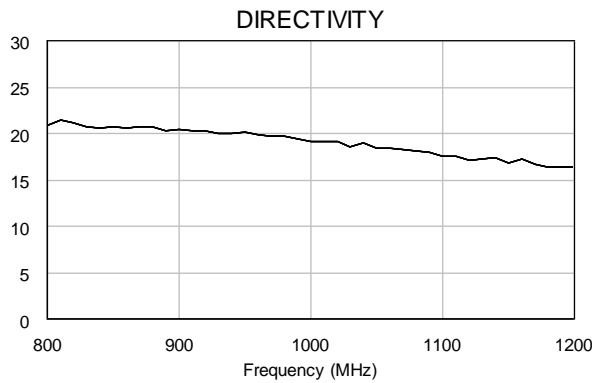
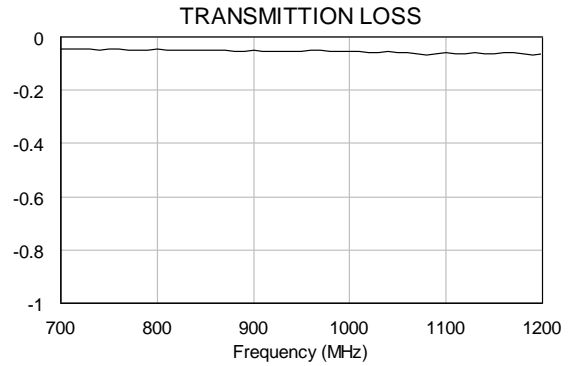
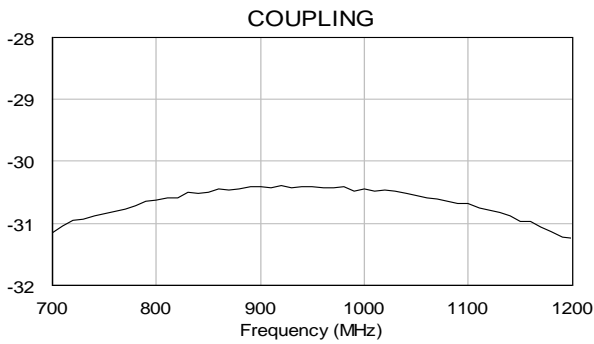


Q30HE-900R

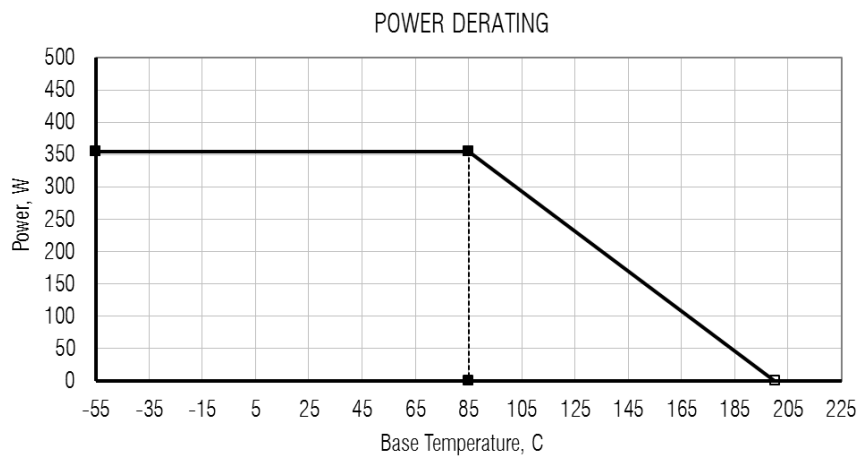
SURFACE MOUNT 30dB DIRECTIONAL COUPLER

REV 1.0.0

TYPICAL PERFORMANCE



POWER DERATING

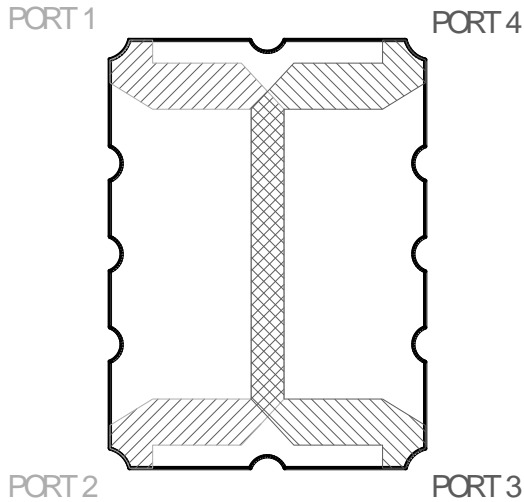


Q30HE-900R

SURFACE MOUNT 30dB DIRECTIONAL COUPLER

REV 1.0.0

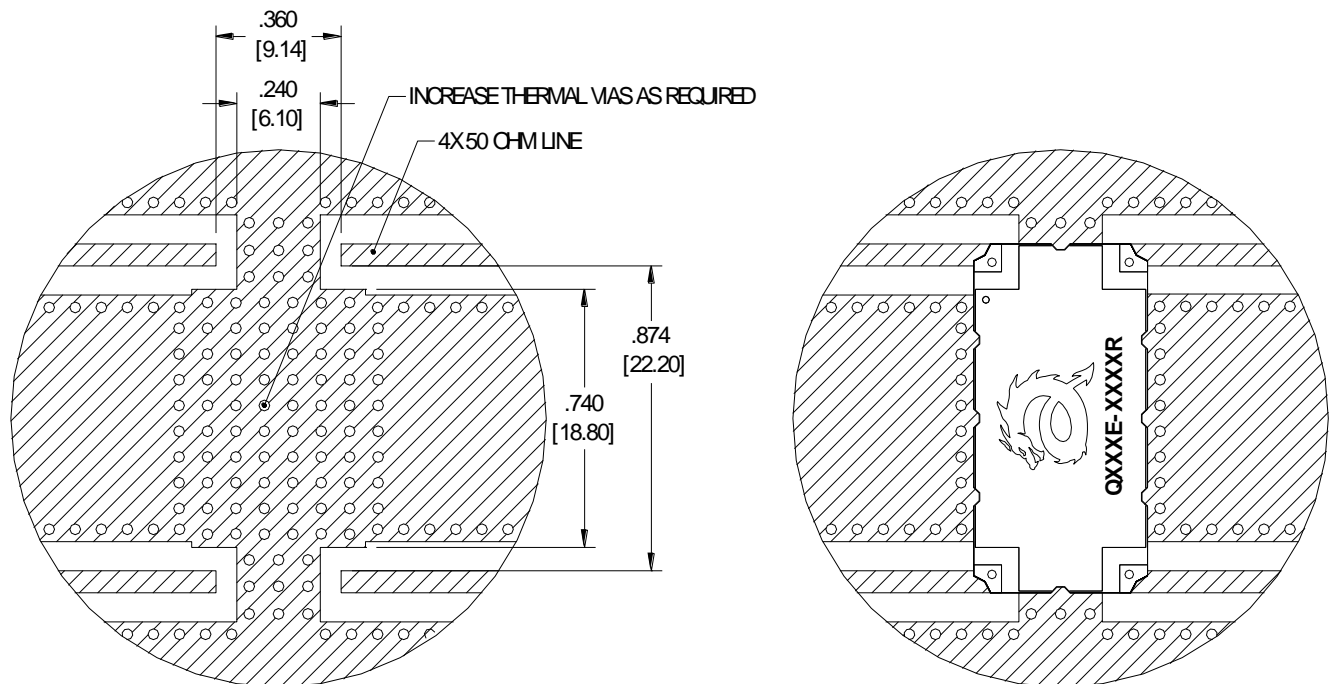
PIN CONFIGURATION



PORT 1	PORT 2	PORT 3	PORT 4
IN	DIRECT	ISOLATED	COUPLED
DIRECT	IN	COUPLED	ISOLATED
ISOLATED	COUPLED	IN	DIRECT
COUPLED	ISOLATED	DIRECT	IN

MOUNTING FOOTPRINT

Electro-Photonics test board is designed using 30 mil RO4350B material. Land pattern design must be taken into consideration when using a different thickness and/or dielectric constant in order to achieve optimal performance.



Q30HE-900R

SURFACE MOUNT 30dB DIRECTIONAL COUPLER

REV 1.0.0

ORDERING INFO*

* Consult sales (sales@electro-photonics.com) for custom configuration, size, footprint, and/or specifications. Tape & Reel available upon request (with minimum order quantities).

Q 3 0 H E - 9 0 0 R
① ② ③ ④

①	②	③	④
PRODUCT CODE	SIZE	FREQUENCY	PLATING
30dB DIRECTIONAL COUPLER	A = .250 X .200 K = .283 X .197 B = .560 X .200 G = .560 X .350 D = .650 X .480 E = 1.00 X .500	MHz (SEE TABLE 1)	R = IMMERSION TIN