

# Q10HK-1900R-SMA

SURFACE MOUNT 10dB DIRECTIONAL COUPLER

REV 1.0



## APPLICATIONS

- Signal sampling
- Signal injection
- Source leveling
- Signal isolation
- Power monitoring
- Reflection measurement

## FEATURES

- Broadband 1500 - 2200 MHz
- Low loss
- High directivity
- Flat coupling
- Compact and low profile
- Lead-Free

## SPECIFICATIONS

TABLE 1: TYPICAL SPECIFICATIONS\*

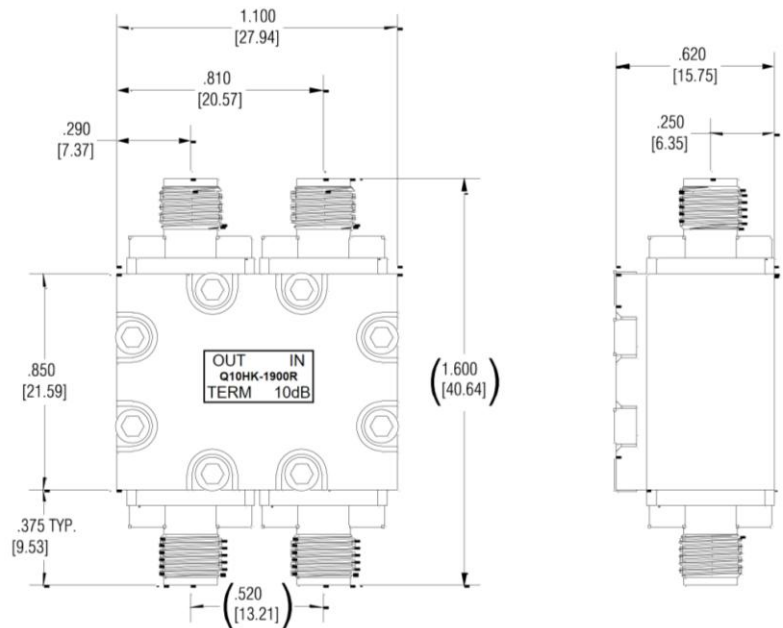
FREQ (MHz)	POWER (W)	PART NUMBER	INSERTION LOSS (dB)	COUPLING (dB)	DIRECTIVITY (dB)	VSWR	OPERATING TEMP (°C)	θJC (°C/W)
1500-2200	15	<b>Q10HK-1900R-SMA</b>	0.45	10 ± 0.5	20	1.35	-55 to +85	71.75

\* Units tested with small signal at 25°C. Specifications subject to change without notice.

## MECHANICAL

\* Dimensions are inches [millimeters].

- Housing: Aluminum
- Plating: Nickel
- Connectors: 18GHz SMA



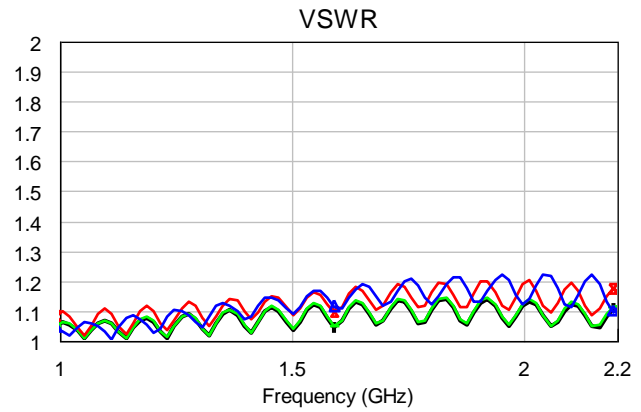
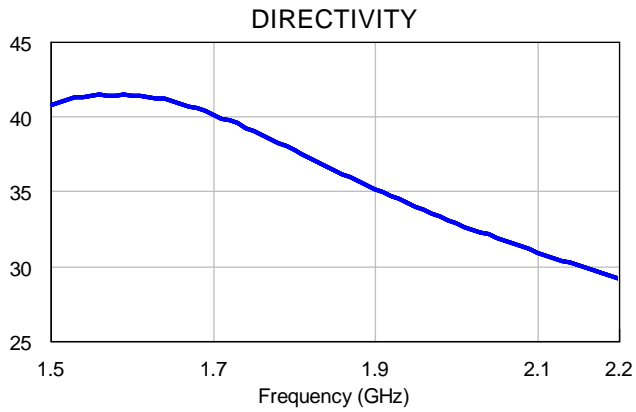
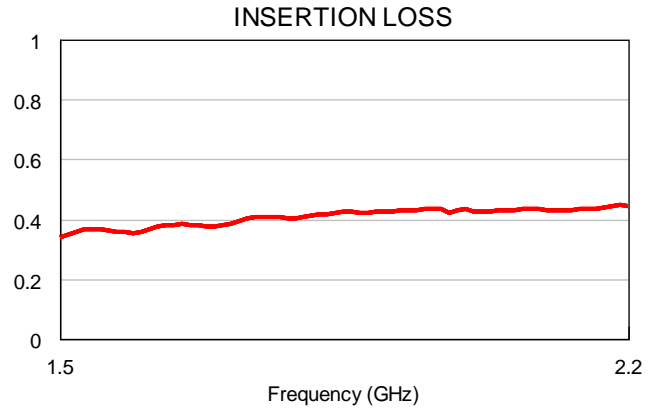
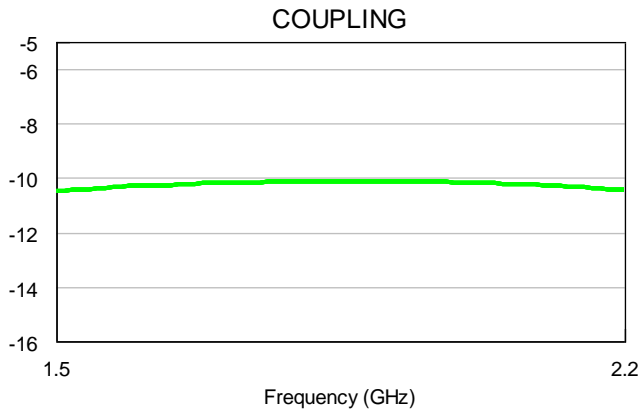
DIRECTIONAL COUPLERS

# Q10HK-1900R-SMA

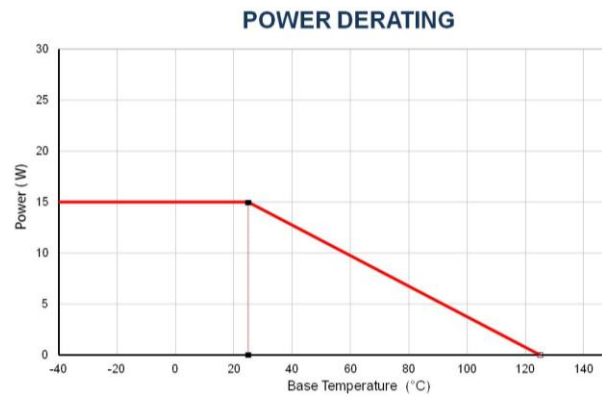
SURFACE MOUNT 10dB DIRECTIONAL COUPLER

REV 1.0

## TYPICAL PERFORMANCE



## POWER DERATING



DIRECTIONAL COUPLERS

# Q10HK-1900R-SMA

SURFACE MOUNT 10dB DIRECTIONAL COUPLER

REV 1.0

## ORDERING INFO

**Q 1 0 H K - 1 9 0 0 R S M A**

①

②

③

①

**PRODUCT CODE**

10dB DIRECTIONAL  
COUPLER

②

**FREQUENCY**

MHz  
(SEE TABLE 1)

③

**Connector type**

SMA = SMA



The Q10HK-1900R-SMA is a lead free, RoHS compliant product.